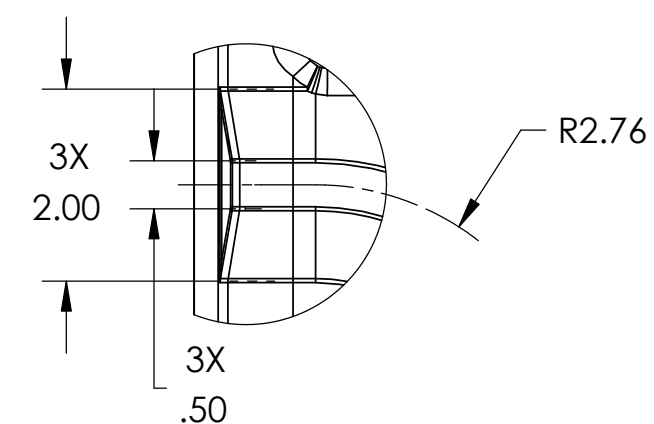
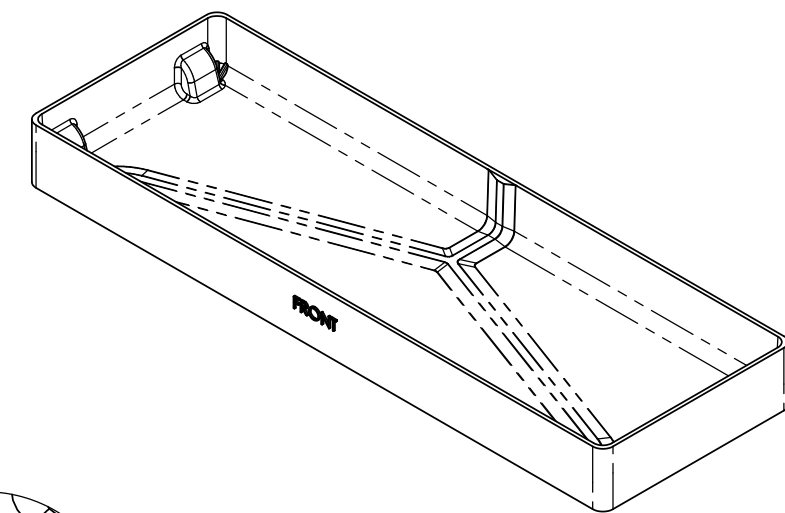
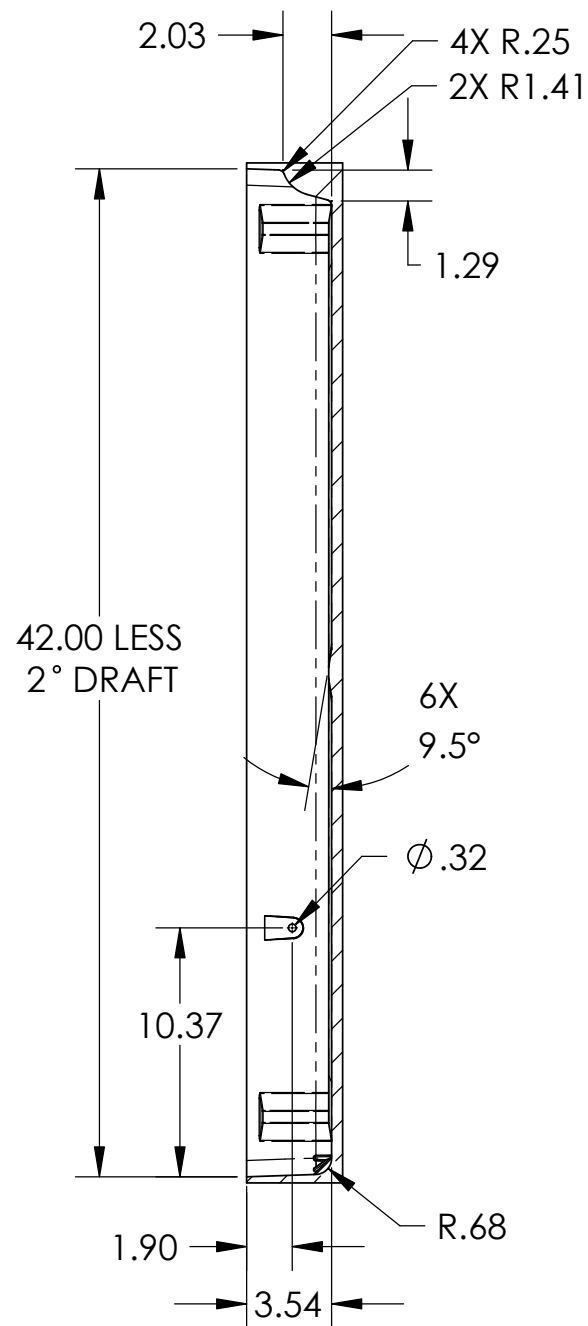
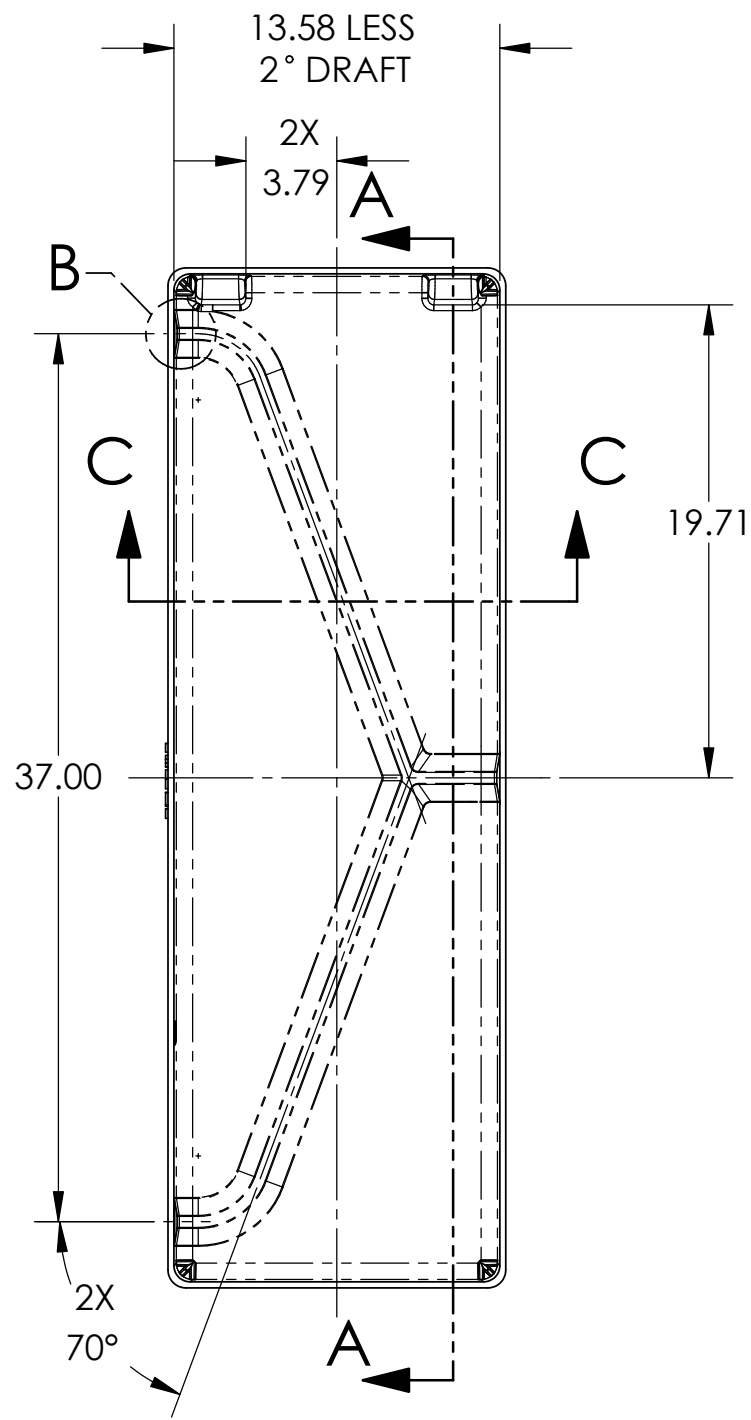


REVISIONS				
REV.	DESCRIPTION	DATE	DRFTR	APPR'VD



SECTION A-A
SCALE 1 : 8

DETAIL B
SCALE 1 : 2

1. ALL DIMENSIONS ARE TO INTERNAL GEOMETRY OF CASE.
NOTES: UNLESS OTHERWISE SPECIFIED.



UNSPECIFIED TOLERANCES	APPROVALS DATE		PELICAN PRODUCTS INC. 23215 EARLY AVE., TORRANCE, CA 90505 (310) 326-4700			
	DESIGN					
	CHECKED		TITLE 1720 CUBE CASE, TOP INTERNAL GEOMETRY			
This Drawing contains information proprietary to Pelican Products Inc. any reproduction disclosure or use of this drawing requires written permission of Pelican Products Inc.	APPROVED		SIZE B	SCALE 1:1	DRAWING NO. 1720	REV
	DO NOT SCALE DRAWING			SHEET 1 OF 1		